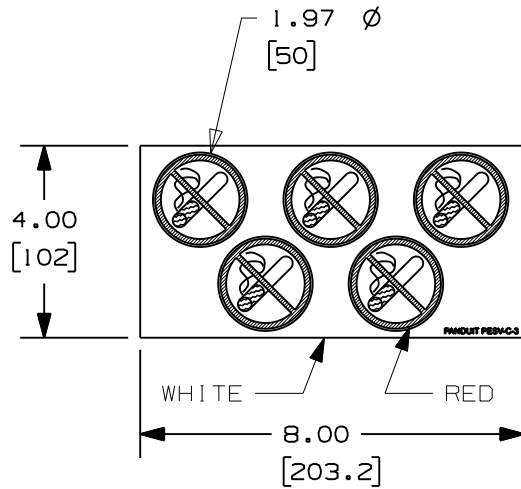


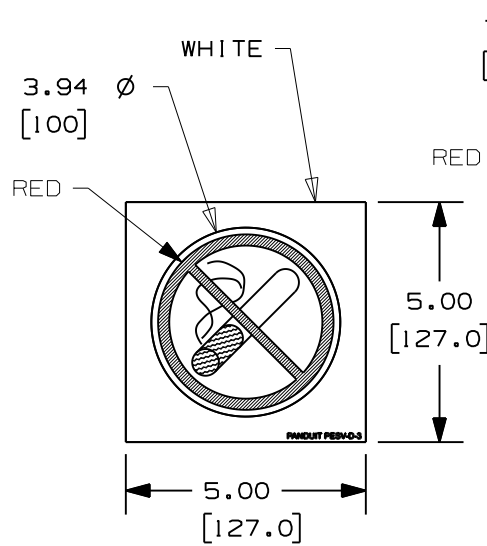
PART NUMBER	MARKER PER CARD
PESV-C-3	5
PESV-D-3	1
PESV-E-3	1

NOTES:

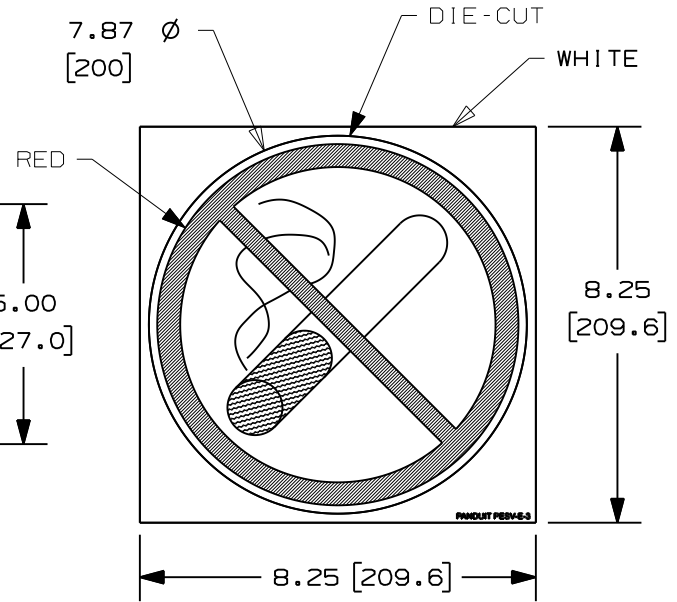
1. MILLIMETERS ARE IN [ ].
2. 10 CARDS PER PACKAGE.



PESV-C-3



PESV-D-3



PESV-E-3

CAD FILENAME/LAYERS 100318LW\_DC\_C10662/06A

PANDUIT CORP. TINLEY PARK, ILLINOIS

CUSTOMER DRAWING  
PESV-C-3, PESV-D-3, AND PESV-E-3  
PROHIBITION SIGNS

UNLESS OTHERWISE SPECIFIED,  
DIMENSIONAL TOLERANCES ARE:  
(.X) ± .1 (XXX) ± .025  
(.XX) ± .062 ANGLES ± 5°

UNLESS OTHERWISE SPECIFIED,  
ALL DIMENSIONS ARE GIVEN  
IN INCHES, THIRD ANGLE PROJECTION.

DRAWN BY  
RVU

MAT'L:

SCALE

R	3/20/08	RVU		DRAWING RELEASE	5362	R							
---	---------	-----	--	-----------------	------	---	--	--	--	--	--	--	--

DATE  
3/20/08

GMV1-OL  
VINYL FILM

DRAWING NO.

C10662

DWG  
A  
SIZE

REV	DATE	BY	CHK	DESCRIPTION	ECN	R	CUST	SUP
-----	------	----	-----	-------------	-----	---	------	-----